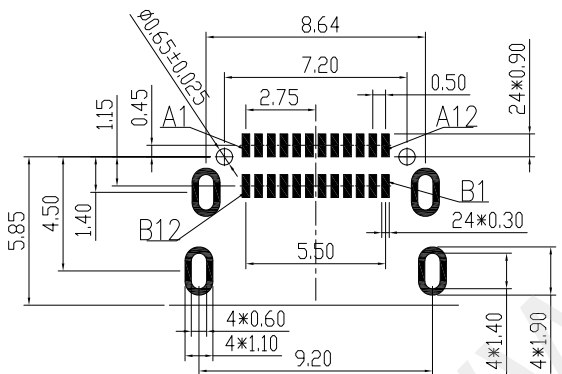


REMARKS (备注):

- CONTACT INSERTION AND WITHDRAW FORCE (插拔力):
  - 1.1. Insertion force (插入力): 5N-20N max.
  - 1.2. Withdrawal force (拔出力): 8N-20N.
  - 1.3. Durability (耐久性): 10000 Cycles.
- ELECTRIC PROPERTY (电气性能):
  - 2.1. Contact current rating (额定电流): 5A.
  - 2.2. Dielectric Strength (介电强度): 100V AC (RMS).
  - 2.3. Insulation Resistance (绝缘电阻): 100 megaohms (兆欧) min.
  - 2.4. Contact resistance (接触电阻): 40mohms MAX. FOR VBUS, GND AND OTHER CONTACT. 50mohms MAX. AFTER ENVIRONMENT TEST.
- AMBIENT TEMPERATURE (温度环境):
  - 3.1. Operating temperature (制造温度): -55° C to +85° C.
- Marked "XX" should be FAI DIM (标 "XX" 的为重点管控)



RECOMMENDED PCB LAYOUT (COMPONENT SIDE)

TOLERANCE: ±0.05

USB TYPE-C PIN ASSIGNMENTS

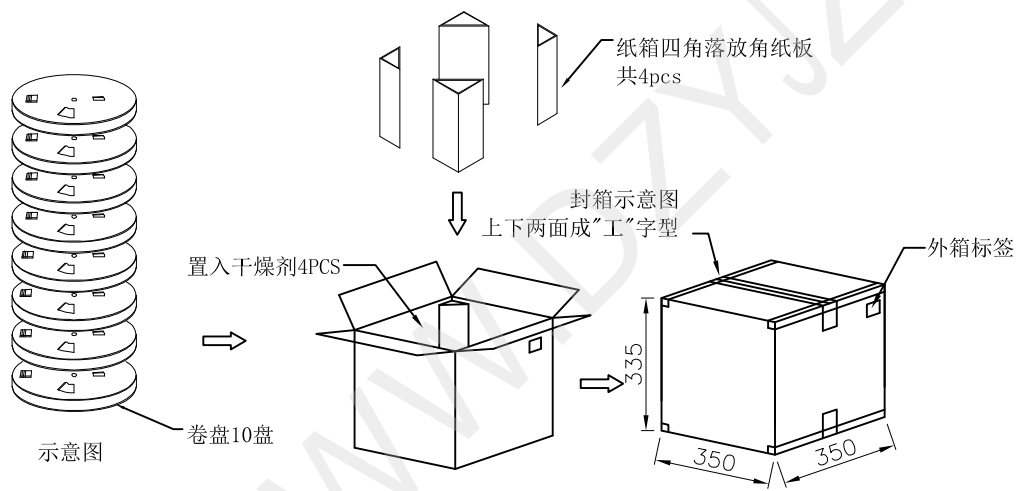
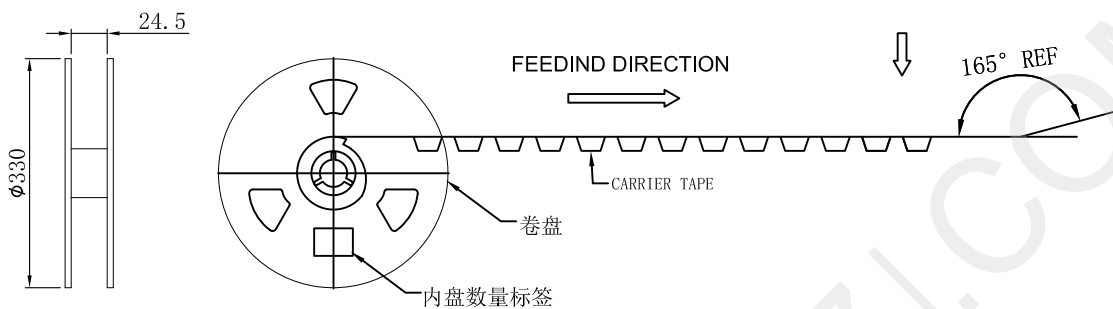
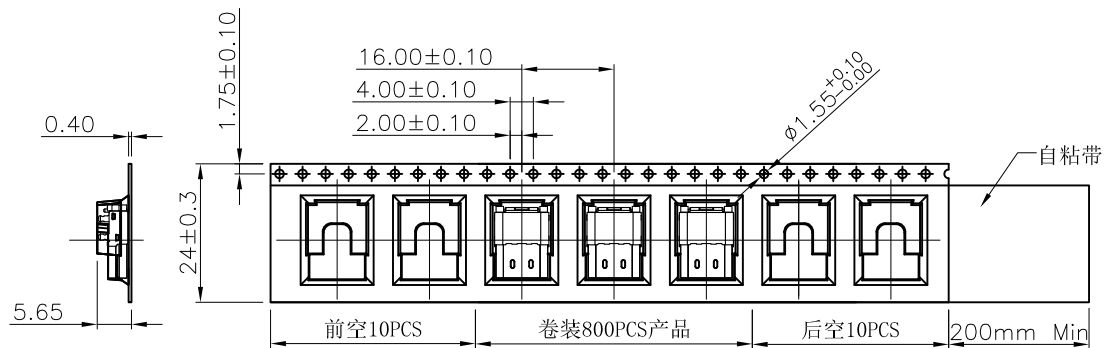
PIN NUMBER	SIGNAL NAME	PIN NUMBER	SIGNAL NAME
A1	GND	B12	GND
A2	SSTXp1	B11	SSRXp1
A3	SSTXn1	B10	SSRXn1
A4	VBUS	B9	VBUS
A5	CC1	B8	SBU2
A6	Dp1	B7	Dn2
A7	Dn1	B6	Dp2
A8	SBU1	B5	CC2
A9	VBUS	B4	VBUS
A10	SSRXn2	B3	SSTXn2
A11	SSRXp2	B2	SSTXp2
A12	GND	B1	GND

ITEM	DESCRIPTION	MATERIAL	REMARKS
6	Outer-Shell	SUS-304 T=0.20mm	Ni: 50U"
5	Shell	SUS-304 T=0.30mm	Ni: 50U"
4	Shrapnel	SUS-304 T=0.12mm	
3	Tatch	SUS-301 T=0.15mm	
2	Terminal	C7025 T=0.15mm	NI: 50U", Au: G/F, Sn: 60U"
1	Housing	LCP	UL94-0 BLACK




深圳市华宇创精密电子有限公司

TOLERANCE: XX ±0.30 X.XX ±0.25 X.XXX ±0.15 X: ±2' X.X: ±0.5'	DRAWN BY : 陈一鸣	DATE : 2014-02-23	PART NAME: USB TYPE C 母座24P 板上双排SMT L=12.4mm
	CHECKED BY: 马跃	DATE : 2014-02-23	PART NO. : HYC682-USBC24-124
UNIT: mm [inch]	APPROVED BY: 邱敏	DATE : 2014-02-23	DRAW NO. : HYC-2601280915
SCALE: 1:1 SIZE: A4			SHEET NO. : 1 OF 1



备注:

1. 自动机包装前先剪掉2格后调整前段空出10格,中间装800PCS产品,尾端也需空出10格;
2. 按照图示方向将成品一一放入REEL包装盘内,依同一方向放入;
3. 一个REEL包装盘放置800个成品,装满成品的REEL盘外圈需装上保护带,四周贴上美纹胶,盘面贴一张内标签;
4. 将每盘产品依次放入箱内,一箱装10盘(800\*10=8000PCS).四周用三角板固定,最后用透明胶纸将纸箱四周封实,箱外贴上外标签;
5. 若有未装满之零数箱,必须以缓行材料塞满,数量比较少时可单盘包装出货;

 <b>深圳市华宇创精密电子有限公司</b>			
<b>TOLERANCE:</b> X.X ±0.30 X.XX ±0.25 X.XXX ±0.15 X' ±2' X.X' ±0.5'	<b>DRAWN BY :</b> 陈一鸣	<b>DATE :</b> 2014-02-23	<b>PART NAME:</b> 包装图
	<b>CHECKED BY:</b> 马跃	<b>DATE :</b> 2014-02-23	<b>PART NO.</b> 
<b>UNIT: mm [inch]</b> <b>SCALE:1:1 SIZE: A4</b>	<b>APPROVED BY:</b> 邱敏	<b>DATE :</b> 2014-02-23	<b>DRAW NO:</b> 
		<b>SHEET NO.</b> 1 OF 1	